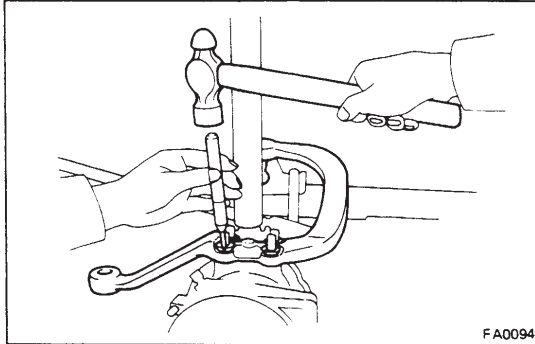


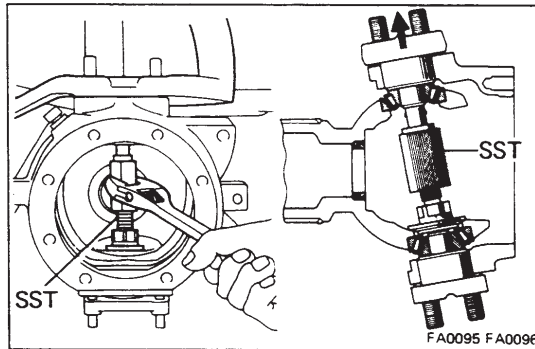
8. DISCONNECT TIE ROD FROM KNUCKLE ARM

Using SST, disconnect the tie rod from the knuckle arm
SST 09611-22012



9. REMOVE KNUCKLE ARM AND BEARING CAP

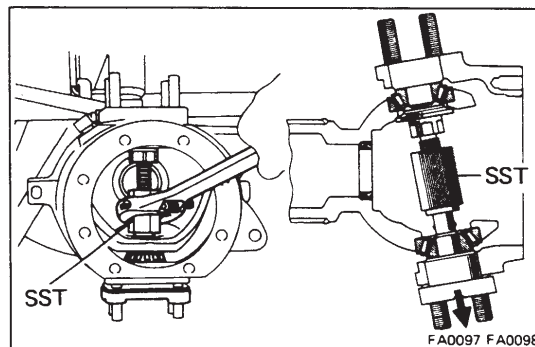
- (a) Remove the knuckle arm and bearing cap mounting nuts.
- (b) Using a tapered punch, tap the slits of the cone washers and remove them from the knuckle arm.



- (c) Using SST, push out the knuckle arm and shims from the steering knuckle.

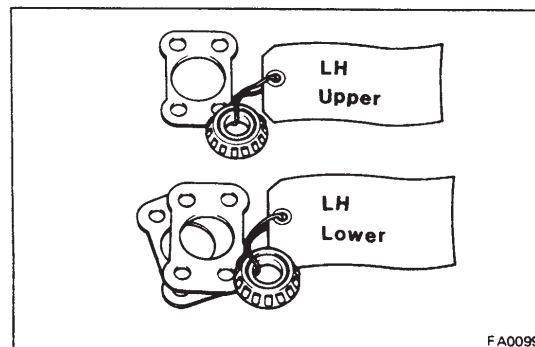
SST 09606-60020

NOTE: Use the SST without a collar.



- (d) Using SST, push out the bearing cap and shims from the steering knuckle.

SST 09606-60020



10. REMOVE STEERING KNUCKLE AND BEARINGS

NOTE: Mark the removed adjusting shims and bearings so as to enable reassembling them to their proper positions.